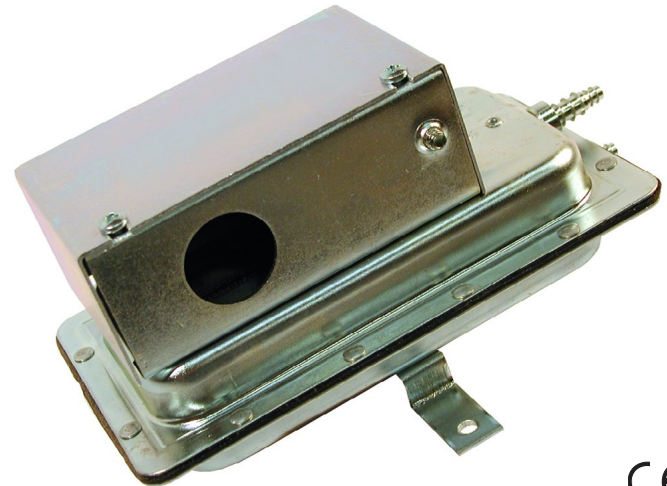


Description and Application

KMC CSE-1102/1103 Differential Pressure Switches are used to remotely sense low pressure or vacuum and differentials of pressure or vacuum.

Typical applications include sensing fan or blower operation in ducted ventilation systems, sensing pressure drop across filters, and sensing frost build-up on coils. The SPDT switch allows remote status/ alarm indication or operation of electrical circuits to other control devices.

The CSE-1102 (shown) has barbed tubing connections, while the CSE-1103 is furnished with compression connectors for use with copper tubing. Both models are UL Recognized, CSA Approved, CE Compliant, and SASO Registered.



Models

CSE-1102	Differential Pressure Switch with barbed connections
CSE-1103	Differential Pressure Switch with compression connections

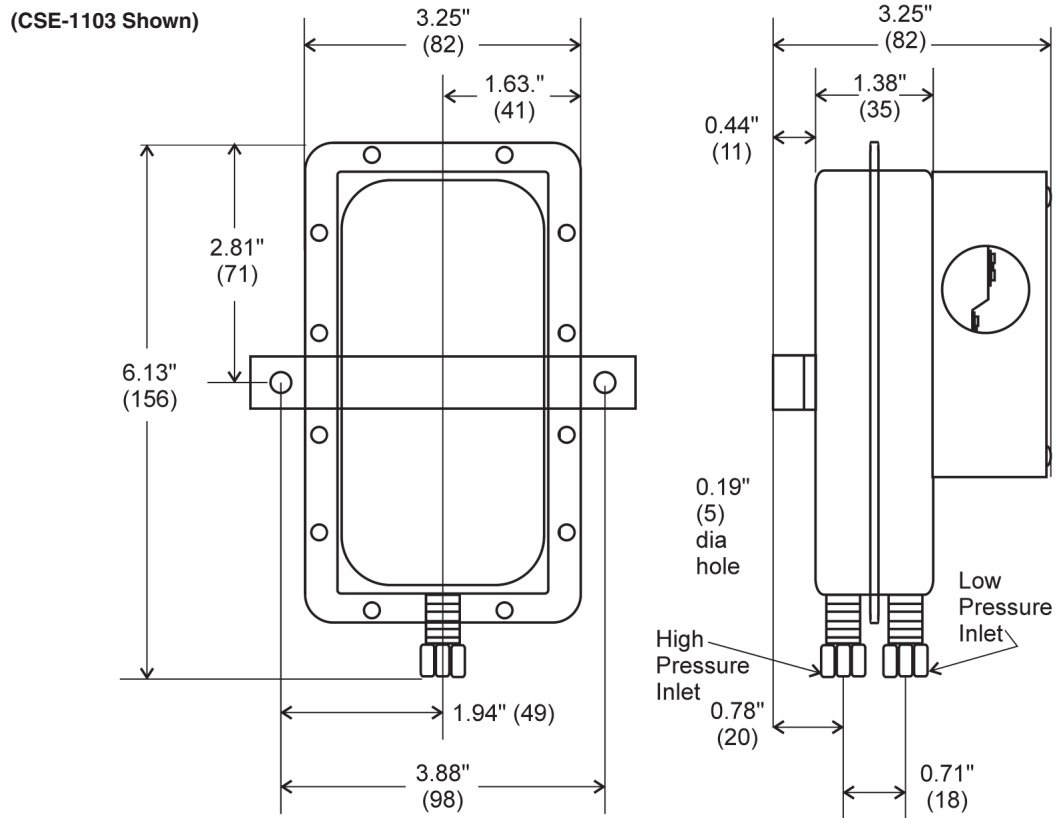
Accessories

HFO-0015	4" (102 mm) long sensing tube
HFO-0016	6" (152 mm) long sensing tube

Specifications

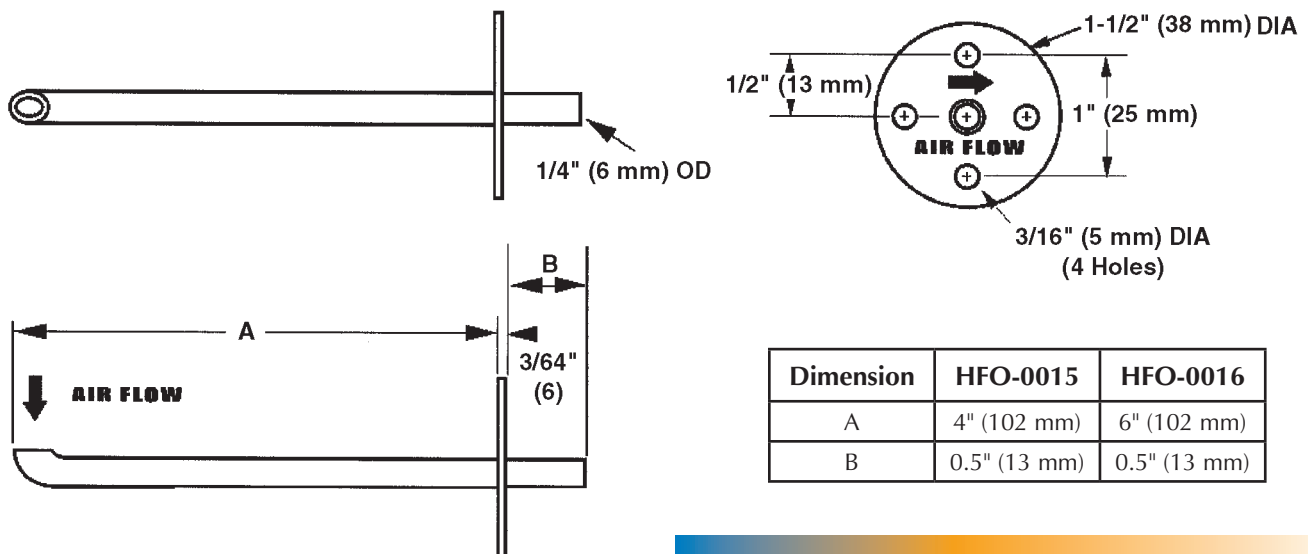
Setpoint Range	0.05 ±0.02 to 12" wc, adjustable (0.012 ±0.005 to 3 kPa)	Electrical Connection	Screw terminals and 1 knock-out for 1/2" conduit connector
"Operating Range"	0.07 to 12" wc (0.017 to 3 kPa)	Air Sampling Connection	
"Release Range"	0.04 to 11.2" wc (0.01 to 2.8 kPa)	CSE-1102	Barbed for 1/4 to 3/8" OD (6–9 mm) polyethylene tube
Differential	Progressive, increasing from 0.02" wc (0.005 kPa) at min. setpoint to 0.8" wc (0.02 kPa) at max. setpoint	CSE-1103	Compression for 1/4" OD copper
Max. Pressure	13.8" wc (3.4 kPa, 0.5 psi)	Weight	1.2 lbs. (0.5 kg)
Life	100,000 cycles min. at max. pressure each cycle and at max. rated electrical load	Approvals	UL Recognized, File MH6213; CSA Approved, File LR18754; CE Compliant; SASO PCP Registration KSA R-103263
Contact Arrangement	SPDT	Mounting Position	Diaphragm on vertical plane
Electrical Ratings		Temperature Limits	
Pilot Duty	300 VA @ 115 to 277 VAC	Operating	–40 to 180° F (–40 to 82° C)
Resistive	15 amps @ 125 to 277 VAC	Shipping	–40 to 180° F (–40 to 82° C)

Switch Details



Nominal Dimensions in Inches (Millimeters)

Accessory Details



NOTE: Connect to the air flow sensor probes using 3/8" (9 mm) OD flexible tubing or a compression fitting to 1/4" OD copper tubing.

KMC Controls, Inc.

19476 Industrial Drive, New Paris, IN 46553

574.831.5250

www.kmcccontrols.com; info@kmcccontrols.com